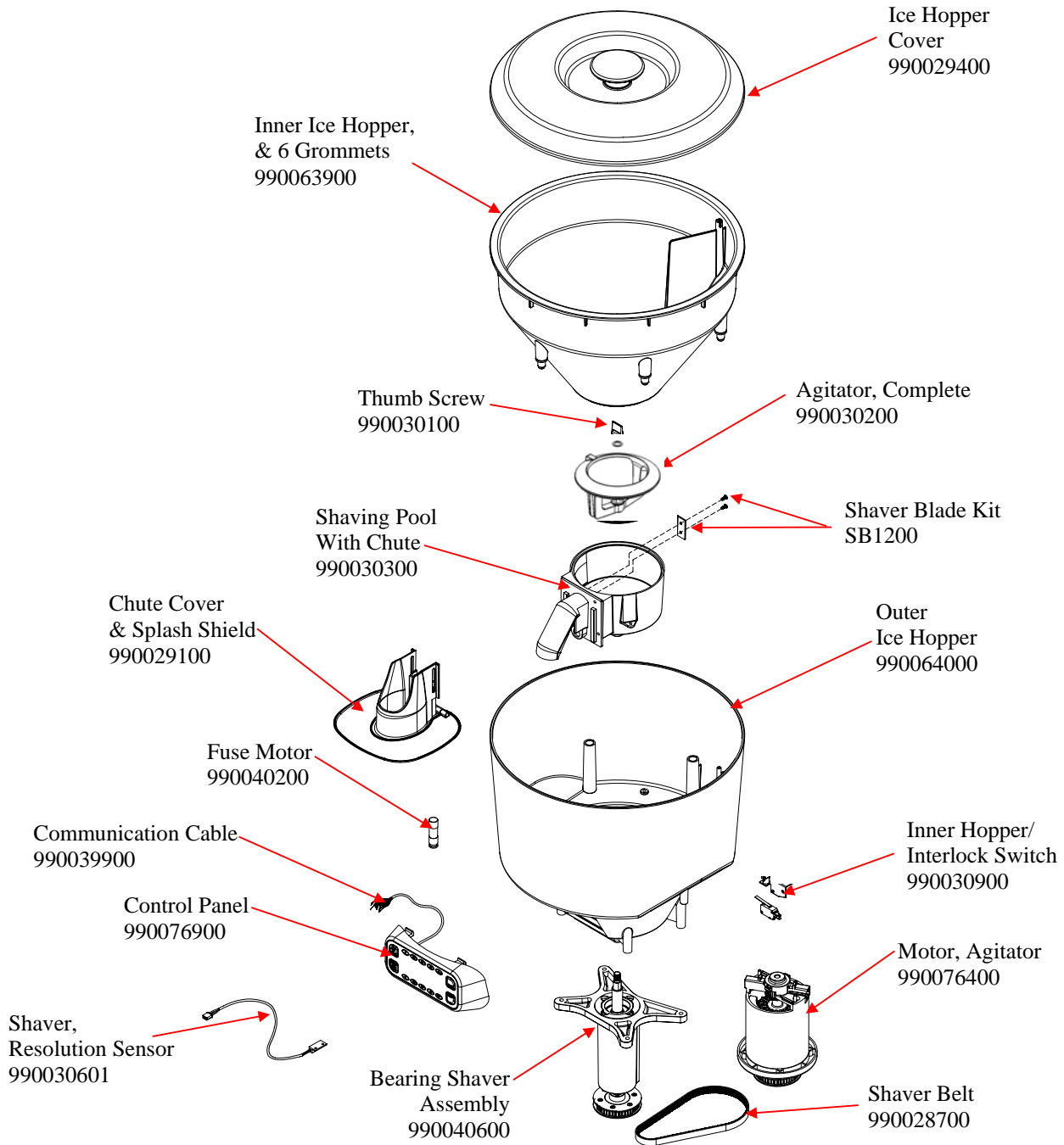



## Replacement Parts Diagram Model HBS1200-CE (Series D)

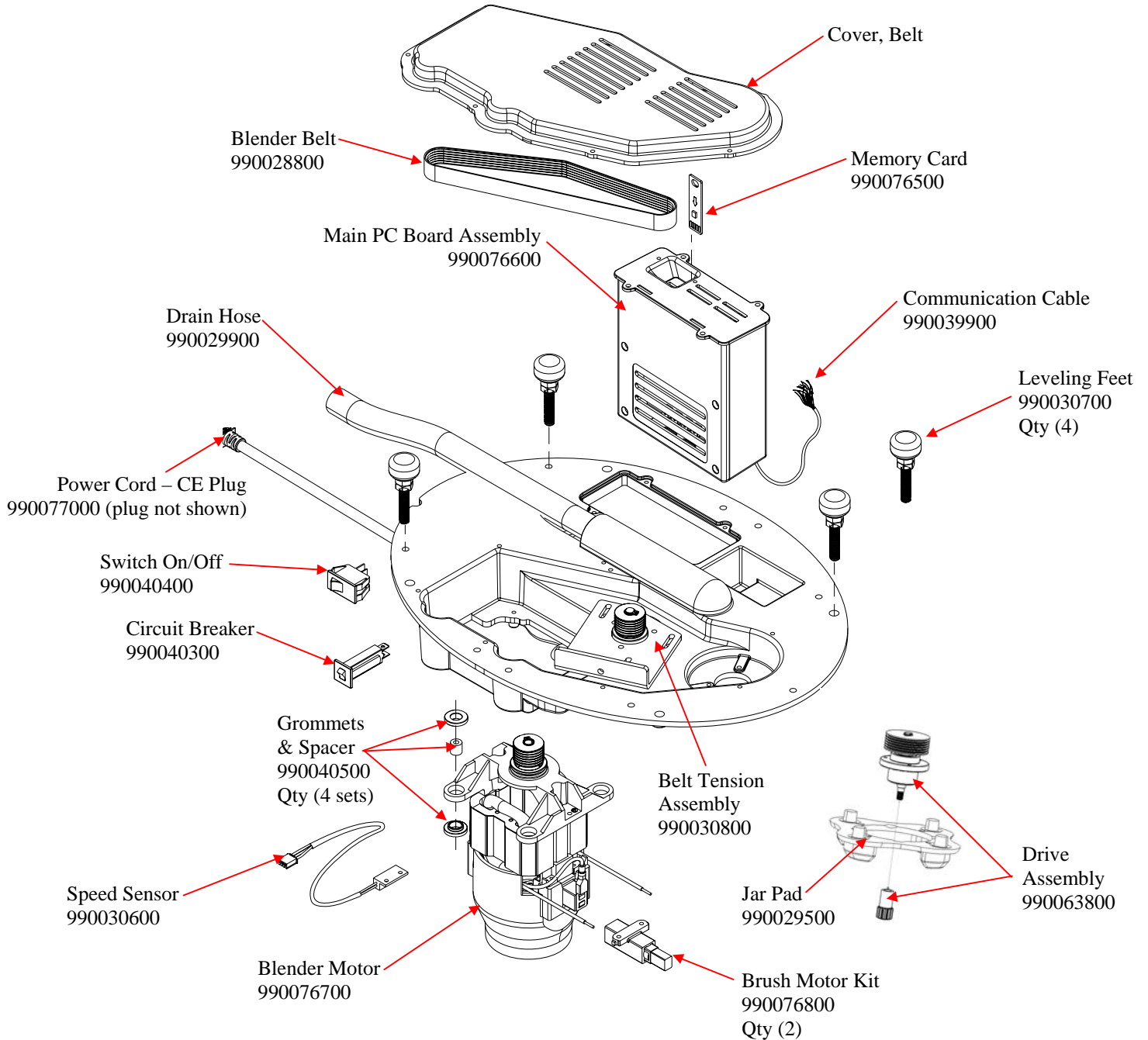
**PROPRIETARY RIGHTS NOTICE** This document and all information contained within it is the property of Hamilton Beach Brands, Inc. (HBB). It is confidential and proprietary and has been provided to you for a limited purpose. It must be returned or destroyed upon request. Disclosure, reproduction or use of this document and any information contained within it, in full or in part, for any purpose is forbidden without the prior written consent of HBB. No photographs may be taken of any article fabricated or assembled from this document without the prior written consent of HBB.




 4421 Waterfront Drive Glen Allen, VA 23060	Revision Description:		Updated Image of Jar Pad and Drive Assembly					
	Request Number:	CME-2704	Revision Date:	3/3/08	Approved by:			
	Issue Code(s):	CS, SP	Page:	1 of 3	Document #:	<b>5100192XX</b>	Rev:	<b>B</b>

## Replacement Parts Diagram Model HBS1200-CE (Series D)

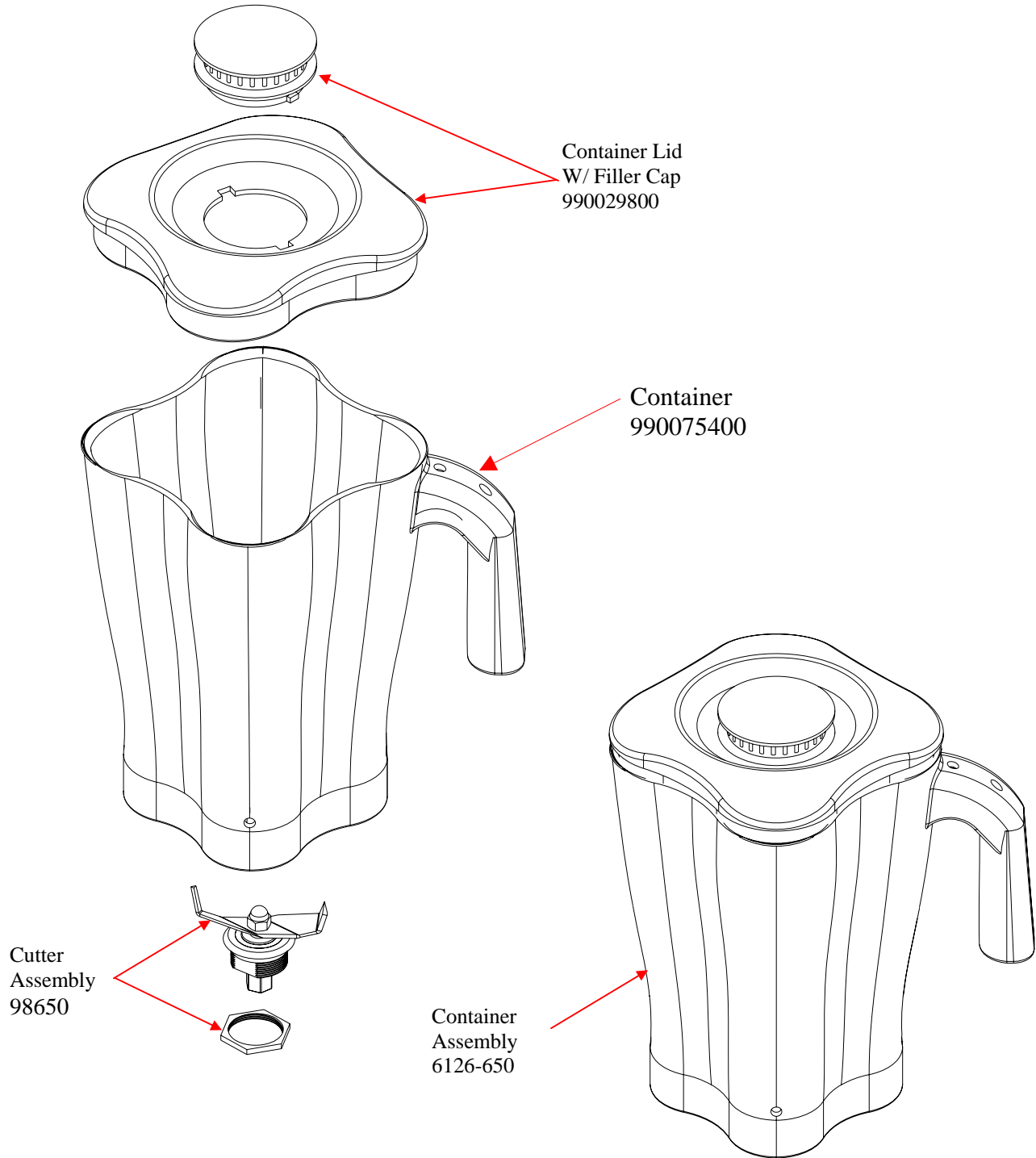
**PROPRIETARY RIGHTS NOTICE** This document and all information contained within it is the property of Hamilton Beach Brands, Inc. (HBB). It is confidential and proprietary and has been provided to you for a limited purpose. It must be returned or destroyed upon request. Disclosure, reproduction or use of this document and any information contained within it, in full or in part, for any purpose is forbidden without the prior written consent of HBB. No photographs may be taken of any article fabricated or assembled from this document without the prior written consent of HBB.




 4421 Waterfront Drive Glen Allen, VA 23060	Revision Description: Updated Image of Jar Pad and Drive Assembly							
	Request Number:	CME-2704	Revision Date:	3/3/08	Approved by:			
	Issue Code(s):	CS, SP	Page:	2 of 3	Document #:	<b>5100192XX</b>	Rev:	<b>B</b>

## Replacement Parts Diagram Model HBS1200-CE (Series D)

**PROPRIETARY RIGHTS NOTICE** This document and all information contained within it is the property of Hamilton Beach Brands, Inc. (HBB). It is confidential and proprietary and has been provided to you for a limited purpose. It must be returned or destroyed upon request. Disclosure, reproduction or use of this document and any information contained within it, in full or in part, for any purpose is forbidden without the prior written consent of HBB. No photographs may be taken of any article fabricated or assembled from this document without the prior written consent of HBB.



 4421 Waterfront Drive Glen Allen, VA 23060	Revision Description:		Updated Image of Jar Pad and Drive Assembly					
	Request Number:	CME-2704	Revision Date:	3/3/08	Approved by:			
	Issue Code(s):	CS, SP	Page:	3 of 3	Document #:	<b>5100192XX</b>	Rev:	<b>B</b>