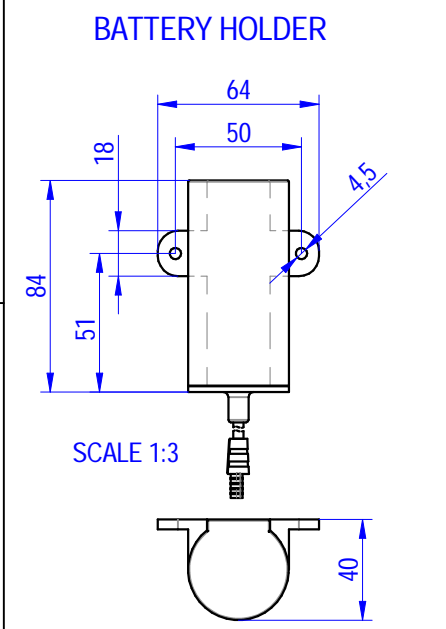
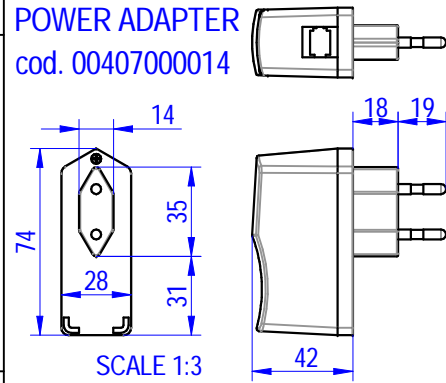


**NOT SUPPLIED**  
 POWER SUPPLY : Alkaline batteries (4x1,5V AA)

00	---		PICCOLO M.	PICCOLO M.
rev.		CHANGE DESCRIPTION	DATE	DRAWN
				VALIDATE



**FIXING KIT FOR KITCHEN SINK**  
 cod. 00306000089

**FLEX INOX 6 L/min**  
 M10x1 - G1/2" L=400mm  
 cod. 00403000108

**CONNECTION : wall plug switching power supply,connection RJ-9**  
**INPUT : 100-240V,50-60Hz,0.1 A**

Shares without tolerance according to standard UNI-EN-22768-1-m		DESCRIPTION	CODE
SIZE	A3	PREMIUM LINE INFRARED SENSOR ELECTRONIC BASIN TAP, RUNNING ON ELECTRICITY 100-240V	ZEUS001/C
DATE	30-11-2018		WEIGHT
DRAWN	PICCOLO M.	SCALE	12
VALIDATE	PICCOLO M.		
VIA DELL'ARTIGIANO 8/F-8-G , 31050 MONASTIER di TREVISO (TV) tel: 0422 842157 - fax: 0422 708978			

DESCRIPTION: PREMIUM LINE INFRARED SENSOR ELECTRONIC BASIN TAP, RUNNING ON ELECTRICITY 100-240V

CODE: ZEUS001/C

WEIGHT: 1,59 Kg

**MONOLITH**  
 DESIGN AND TECHNOLOGICAL RESEARCH FOR WATER

VIA DELL'ARTIGIANO 8/F-8-G , 31050 MONASTIER di TREVISO (TV) tel: 0422 842157 - fax: 0422 708978

DONE WITH DESIGN CAD - PROHIBITED THE CHANGES MANUAL

sink fixing hole :  $\varnothing 33$  mm

FLOW RATE : 6 L/min