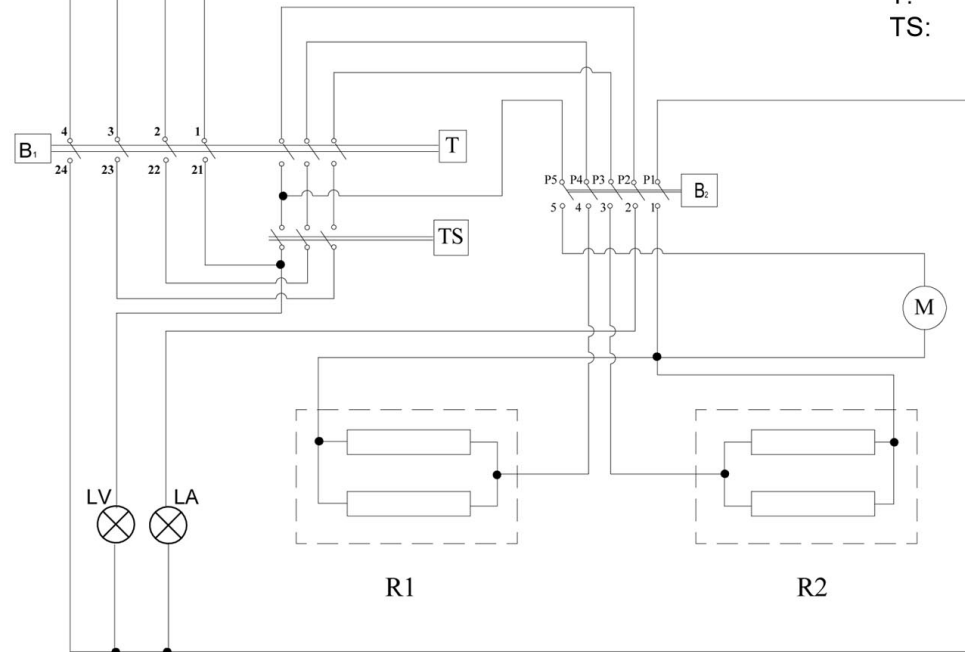
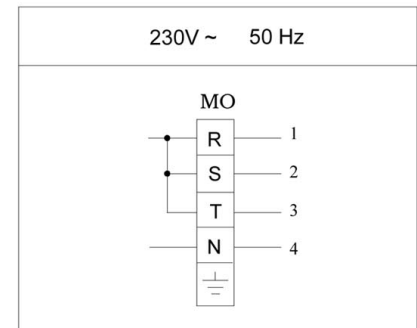


MO
 R
 S
 T
 N
 400V 3~
 50 Hz



- B1: Schalter/Switch
- B2: Wahlschalter/Selector
- LV: Lampe/Lamp
- LA: Betriebslampe/lamp
- M: Motor/Motor
- MO: Anschlussklemme/Terminal clamp
- R1,2: Heizkörper/Heating element
- T: Thermostat/Thermostat
- TS: Sicherheitsthermostat/safety thermostat



P1 P2 P3 P4 P5 1 2 3 4 5	P1 P2 P3 P4 P5 1 2 3 4 5	P1 P2 P3 P4 P5 1 2 3 4 5	P1 P2 P3 P4 P5 1 2 3 4 5	P1 P2 P3 P4 P5 1 2 3 4 5	P1 P2 P3 P4 P5 1 2 3 4 5	P1 P2 P3 P4 P5 1 2 3 4 5	P1 P2 P3 P4 P5 1 2 3 4 5
B2	OFF	R1+R2+M	R1+R2	R2+M	R2	R1+M	R1.