



# BRUSHLESS BLENDER #62



Internationally patented models



# Extremely quiet blender

Thanks to its 30 pre-programmed cycles, the brushless blender #62 makes any kind of cold drinks (cocktails, smoothies, milkshakes, granitas, iced coffees...).

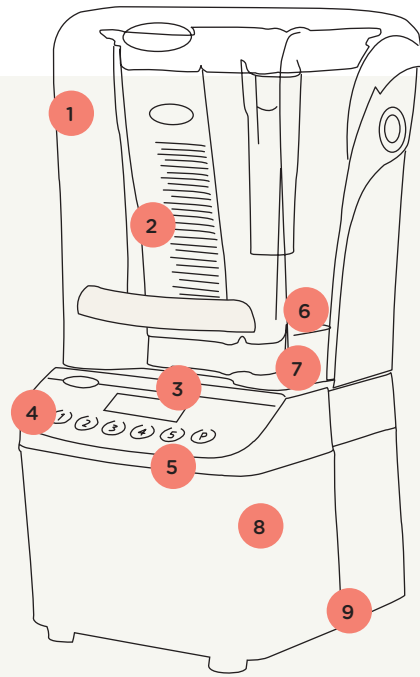
The patented two-way rotation of the blade, unique on the market, crushes and blends any kind of ingredients in a few seconds, including ice cubes and frozen fruits.

It is very quiet thanks to its sound enclosure and its brushless motor.



The Brushless Blender #62 can be used either countertop or in-counter, without any additional option (simple and quick dismantling of the base).

In-counter blender



Ref 62100Y



Ref 62100R

Perfect to avoid allergens cross contact

Option colored jugs

- |   |   |
|---|---|
| 1 <b>Removable sound enclosure</b> with seal  | 5 <b>Illuminated Touchpad</b> control panel in glass          |
| 2 <b>Bisphenol A-free graduated jar</b><br>Graduation : 48 oz / 1.4L<br>Capacity : 81 oz / 2.4L | 6 <b>Extra strong blade:</b> patented two-way rotation system |
| 3 <b>LCD display</b>  | 7 <b>Sound reducing</b> removable pad                         |
| 4 <b>Programs</b> for a high quality, precise and constant blend                                | 8 <b>Brushless motor</b>                                      |
|   | 9 <b>USB Port:</b> to update and to add your own programs     |

## First blender in the world equipped with a Brushless motor

Unlike universal motors, brushless motor has no carbon brushes, but a permanent magnet rotor, which offers many advantages:

- Low maintenance
- Long lifetime
- Low noise level
- Excellent energy efficiency



WATCH OUR DEMONSTRATION VIDEO



## Performance

- Brushless motor:** low consumption, high performance (8N.m).
- TiN coated blade:** high resistance, adapted to intensive use.
- Dual Crushing Action:** Patented two-way rotation of the blade.
- Quick blend** thanks to the various pre-programmed cycles.

Create your own programs



## Simplicity

- Touchpad** control pannel with LCD display.
- Easy cleaning:** Removable sound enclosure, pad and jar.
- Stackable jars,** graduated in milliliters and ounces, adapted to right-handers and left-handers.
- Easy maintenance:** each part of the jar can be dismantled (including the blade).
- 6 programmable buttons:** 30 pre-programmed cycles and possibility to create its own programs (free software + USB port).

## Safety, Standards, Hygiene

- In accordance with the following regulations** Machinery directive 2006 / 42 / EC  
Electromagnetic compatibility 2014 / 30 / EU  
"Low voltage" directive 2014 / 35 / EU  
RoHS directive 2011 / 65 / EU  
Regulation 1935 / 2004 / EC (contact with food)  
Regulation 10 / 2011 / EU (Plastic in contact with food)

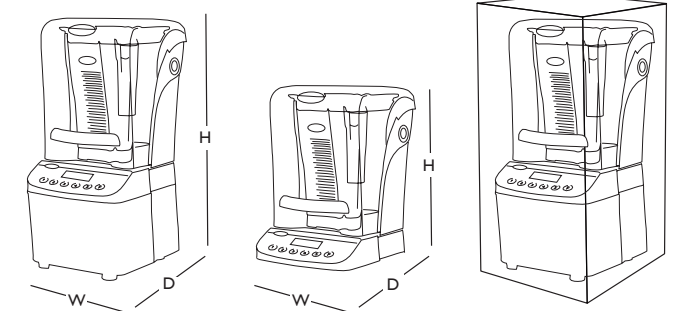
- Harmonized European Standards** EN ISO 12100 : 2010  
NF EN 12852 + A1 : 2010  
EN 60204-1 + A1 : 2009  
EN 60335-2-64 : 2004 Commercial electric kitchen machines  
CE Marking, ETL, NSF, KC

- Thermal Safety** Motor protected by internal thermal detector
- Electrical Safety** Waterproof On/Off interlock switch  
Appliances are 100% tested after assembly
- Acoustic Safety** Very silent and powerful brushless motor
- Hygiene** All removable parts can be put in a dishwasher or easily cleaned with hot soapy water. Bysphenol-free.

## Technical specifications

- Motor**  
Single phase:  
100-120 V – 50/60 Hz – CE, NSF, ETL  
220-240 V – 50/60 Hz – CE, NSF, KC

- Speed:  
Max torque: 8N.m



- |   |  |   |
|---|--|---|
| <b>Appliance</b><br>D: 247 mm (10")<br>W: 200 mm (8")<br>H: 441 mm (17")<br>Weight: 8.3 Kg (17.6 lbs) | <b>In-counter version</b><br>D: 247 mm (10")<br>W: 200 mm (8")<br>H: 306 mm (12")<br>Weight: 8.3 Kg (17.6 lbs) | <b>Shipping Box</b><br>D: 330 mm (13")<br>W: 255 mm (10")<br>H: 510 mm (20")<br>Weight: 9.2 Kg (19.8 lbs) |
|---|--|---|

PRODUCT: 2 YEAR WARRANTY

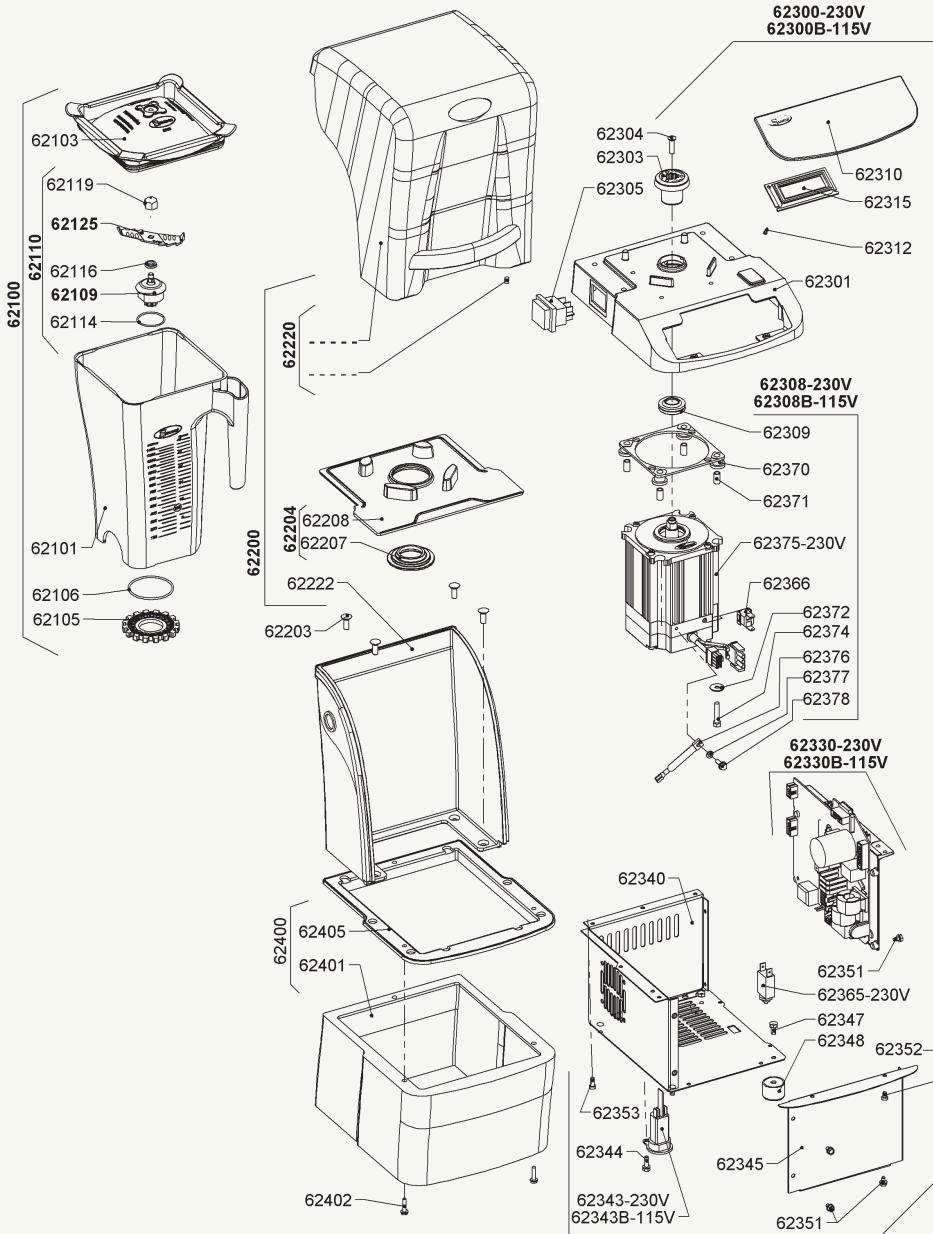






## SANTOS Brushless Blender #62

From date: 03/2017  
from serial number: 1007377



### SANTOS

140-150 avenue Roger Salengro  
BP 80 067  
69511 Vaulx-en-Velin Cedex (Lyon) FRANCE

Tél : +33 472 37 35 29  
Fax : +33 478 26 58 21  
Email : santos@santos.fr  
[www.santos.fr](http://www.santos.fr)

Follow us on [#santosaddict](#)  
social networks

